

1807 BAKER WAY KELSO WA 98626



PHONE: (360) 577-7213 FAX: (360) 425-6985

RDO 512 SCREENER (TRACK MOUNT)



Travel Specifications	
Shipping Weight	48,500 lbs. w/o Screen Cloth
Travel Height	11'-6"
Plant Width	10'-2 3/8"
Travel Length	43'-7 1/4"

Diesel Engine	
Manufacturer	Caterpillar
Model	C4.4
E.P.A.	Tier 3 Certified
Turbo	Turbocharged non Aftercooled
Horsepower	91hp @ 2200 rpm
Radiator	Upgraded AKG Radiator
Cooling	Water Cooled
Fuel Tank	65 Gallon

Wireless Controls	
Remote	Controls Tracks, Feeder & Opt. Grizzly
Hydraulics	
Legs	2 hydraulic Jacking Legs
Aux. Valve	For Off Board Conv. Or Opt. Grizzly Top
Hydraulic Tank	110 Gallon

Tracks	
Track Gear	FL-6
Track Boxes	Brevini 3200
Track Links	58 Link
Track Length (Overall)	14'-9"
Track Width (Overall)	10'-0"
Track Pad Width	20"

Feeder Hopper	
Standard (Grizzly Ready)	Approx. 12 cu Yards
Loading Height	11'-6"

Screen - 5x12x2D Step Deck	
Drive - Type	Hydraulic
Drive - Cubic Inch	4.5
Drive - RPM	1641
Screen Throw	5/8"
Suspension	Rubber Spring
Bearings	100mm (grease)

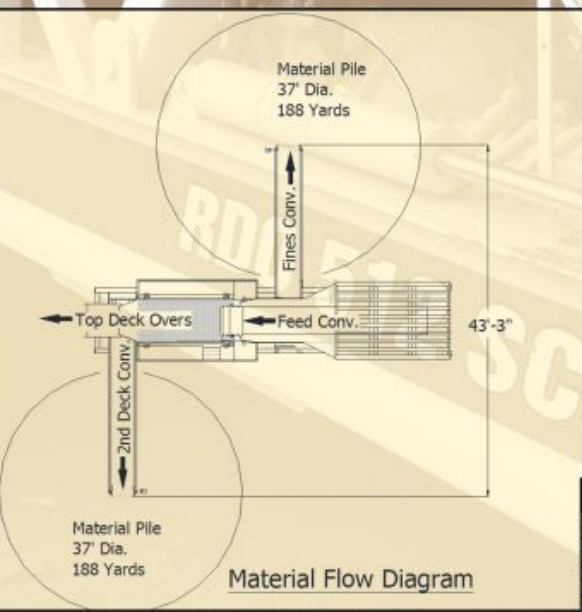
Feeder / Grizzly Options	
14' Hyd End Dump Grizzly (HEAVY DUTY)	

Misc. Options	
Single Shaft Soil Shredder	

Leg Options	
2 Rear Hydraulic Legs	
Strike Off Bar	

Screen Options	
Wet Kit	

Conveyor Options	
Belting Options: 3-Ply, Chevron Cleating, Hot Splice	



Conveyors					
	Length	Width	Motor	Cubic Inches	F.P.M.
Feed Conveyor	23'-10"	48"	Hyd	19	Vari.
Under Screen Conveyor		42"	Hyd	32	235
Side Discharge Conveyor	23'	30"	Hyd	24	314
Rear Discharge Conveyor	23'	30"	Hyd	45	263