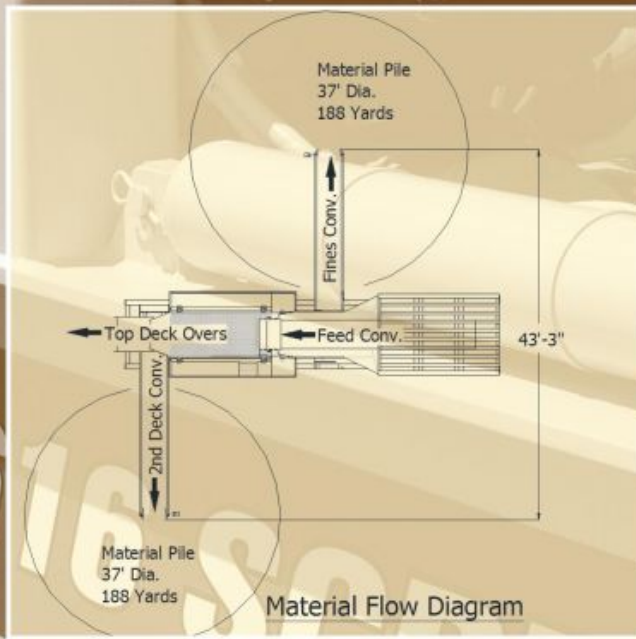




RDO 616 SCREENER (TRACK MOUNT)



Travel Specifications	
Height	14'-0" (On Lowboy)
Width	11'-11"
Length	50'-11" (Travel Position)
Diesel Engine	
Manufacturer	Caterpillar
Model	C4.4
E.P.A.	Tier 3 Certified (Tier 4 available)
Turbo	Turbocharged non Aftercooled
Horsepower	91hp @ 2200 rpm
Radiator	Upgraded AKG Radiator
Cooling	Water Cooled
Fuel Tank	65 Gallon
Hydraulics	
Legs	2 hydraulic Jacking Legs
Aux. Valve	For Off Board Conv. Or Opt. Grizzly Top
Hydraulic Tank	110 Gallon
Feeder Hopper	
Standard (Grizzly Ready)	Approx. 12 cu Yards
Wing Wall Hopper (Opt.)	18 Yards
Loading Height	13'-6"
Screen - 6x16x2D Step Deck	
Drive - Type	Hydraulic
Drive - Cubic Inch	4.5
Drive - RPM	1641
Screen Throw	5/8"
Suspension	Rubber Spring
Bearings	140mm
Tracks	
Track Gear	FL-6
Track Boxes	Brevini 3300
Track Links	60 Link
Track Length (Overall)	15'-0"
Track Width (Overall)	11'-5 1/4"
Track Pad Width	19 3/4"
Feeder / Grizzly Options	
14' Hyd End Dump Grizzly (HEAVY DUTY)	
Misc. Options	
Single Shaft Soil Shredder	
Leg Options	
2 Or 4 Rear Hydraulic Legs	
Screen Options	
Wet Kit	
Conveyor Options	
Belting Options: 3-Ply, Chevron Cleating, Hot Splice	

Conveyors					
	Length	Width	Motor	Cubic Inches	F.P.M.
Feed Conveyor	23'-10"	48"	Hyd	19	Vari.
Under Screen Conveyor		48"	Hyd	45	168
Side Discharge Conveyor	16'-4"	30"	Hyd	24	312
Rear Discharge Conveyor	16'-4"	30"	Hyd	45	263